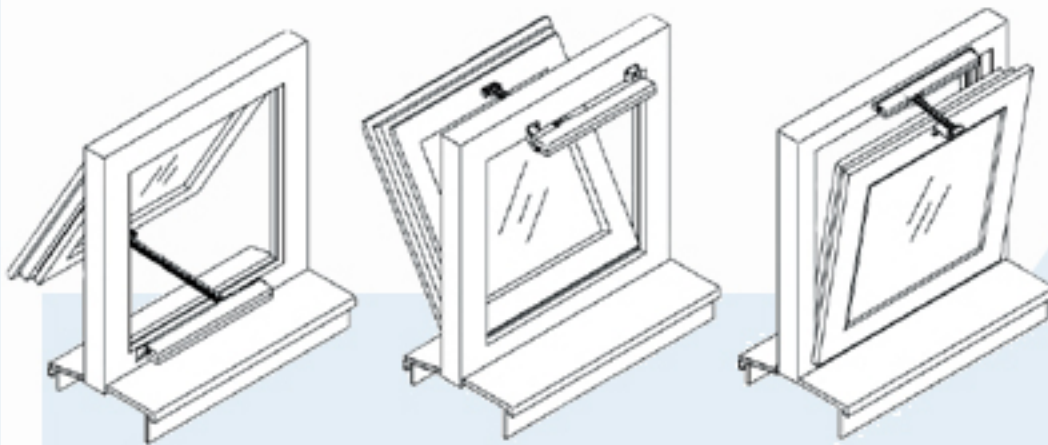


CHAIN ACTUATOR

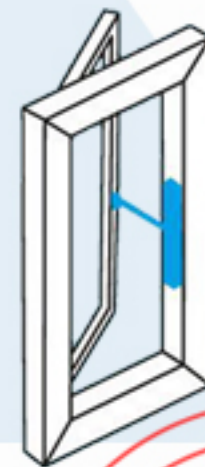
CA38 Chain Opener System

SPECIFICATIONS

- For all types of windows.
- Quick and easy install.
- Double link stainless steel chain for heavy windows and roof windows.
- Supplied with 1.5m cable and pivoting brackets.
- Stroke length up to 1000mm.
- Low consumption.
- Maintenance Free



Stroke	B 24V	B 230V
250	390	508
350	421	560
500	496	635
600	546	685
700	596	735
800	646	785
1000	746	885



Technical Data		
Type	CA 38K	CA 38
Power supply	230VAC \pm 10%	24VDC \pm 15%
Frequency	50Hz	/
Push-Pull Force	400N	400N-600N
Locking Pressure	1000N	1000N
Speed	10mm/s	10mm/s
Current Absorption	0.45A	1A
Protection Class	IP 50	IP56
Range of Temp	-5°C \pm 74°C	-5°C 74°C
Housing	Aluminium Natural Anodized	



Support remote control function

